



# TRIPOD TURNSTILE

RMC-PTT-200-PSO



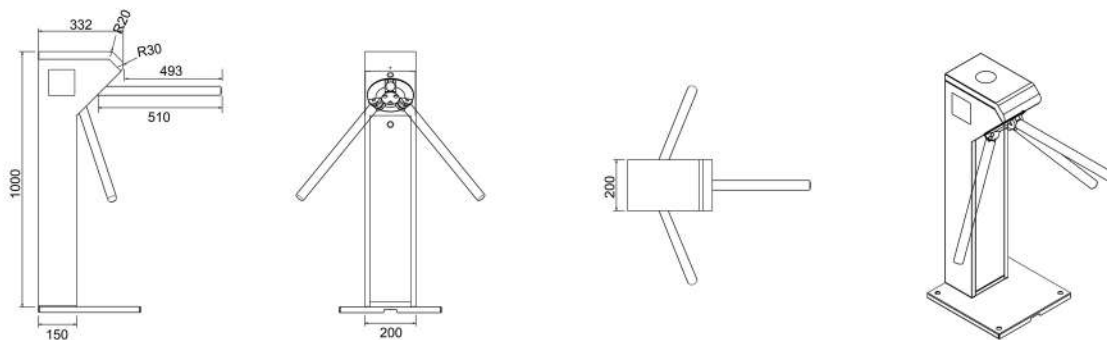
The RMC-PTT-200-PSO Tripod Turnstile is designed for Pedestrian movement. They are generally deployed at Educational Institutions, Factories etc. These gates are used in combination with Handicap Swing Gates to offer controlled movement of Handicap Persons or for the movement of Material.

These are ergonomically & aesthetically designed for easy movement in access controlled environment. The concept is such that it offers the scope for customization depending on the application that it is intended for.

The extent of Ravel Movement Control's dedication is more than explicit in its complementing products and solutions. It thus offers its customer flexibility in adopting to new ideas and aids in an architect's desire to deliver unique designs to their architecture.

The Tripod Turnstile Gate is a combination of well crafted Stainless steel cabinets with SS arms. The design is engaging both in terms of its appearance & safety.

## Dimensions



( All dimensions are in mm )



# TRIPOD TURNSTILE

## RMC-PTT-200-PSO

DESCRIPTION	PARTICULAR
Make	Ravel
Model	RMC-PTT-200-PSO
Material of Construction	304 Stainless steel cabinet and arms
Finish	Brushed or Satin Finish aka Grade 4 Finish
Housing Material Thickness	1.5mm
Housing Dimension	Length 330 X Width 200 X Height 1000 in mm
Length of the Arm	500mm
Arm Diameter	40mm
Thickness of Arm Pipe	1.3mm
Length of the Arm	500mm with a 50mm Gap between Arm and next housing makes the passage 550 mm wide
Passage Width	550mm
Drive	Brushless DC Motor with Resolver for Position Sensing
Power	AC 230V±10V, 50Hz
Power Consumption	70W
Working Temperature	-10° C to +60° C
Condensation	5 to 95%, ROH Non Condensing
Throughput Per Minute	30 Persons / min (Normal Open)
Rotating Speed	Arm open / close time : 2 Seconds
Response time	Unlock Time: 0.2 to 0.5 seconds
Voltage	24 V DC
IP Rating	IP43
Direction of Operation	Bi-Directional programable for Uni-direction operation as well
Hold Open Time	1s-255s adjustable, default is 5s
Emergency/Safety	Drop-Arm Feature
Lane Indicator	LED passing arrow can show direction to move (Optional)
Card Reader Interface	Potential Free Contact
Noise during operation	Stable running with less noise
Weight of the Product	30KG

